

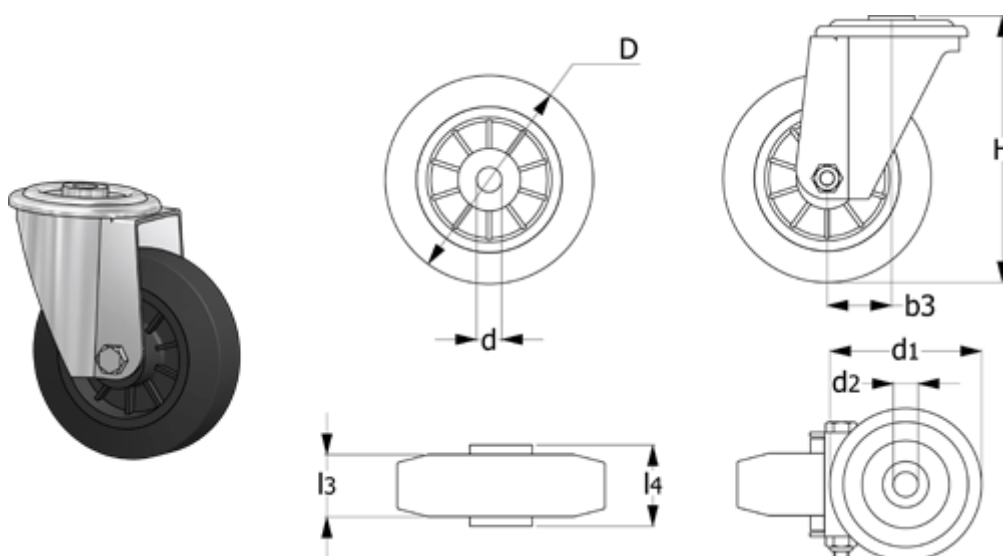
# Data Sheet



Article number: 2314449716

Description: E+G rubber wheel 449716  
RE.E2-150-FBL turning plate u/bremse

## Measures



b3	= 37	H	= 182
Code	= 449716	l3	= 40
d	= 15	l4	= 44
D	= 150	Rolling resistance (N)	= 1000
d1	= 73	Type	= RE.E2-150-FBL
d2	= 12		
Dynamic load (N)	= 1300		
g	= 1250		